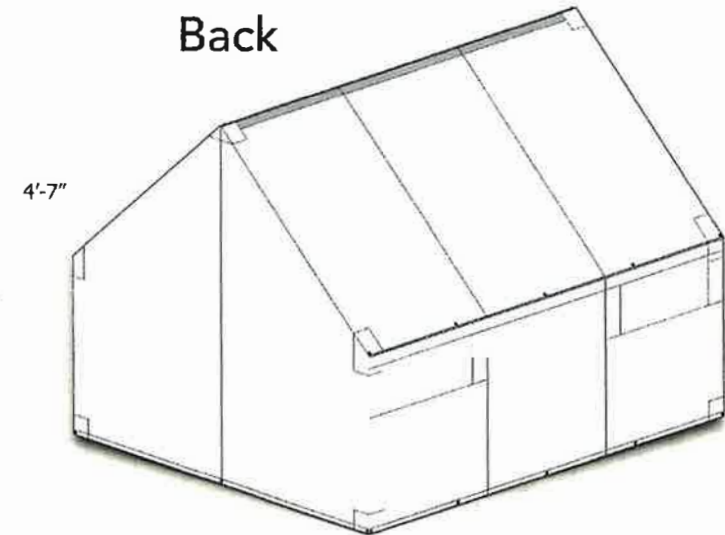
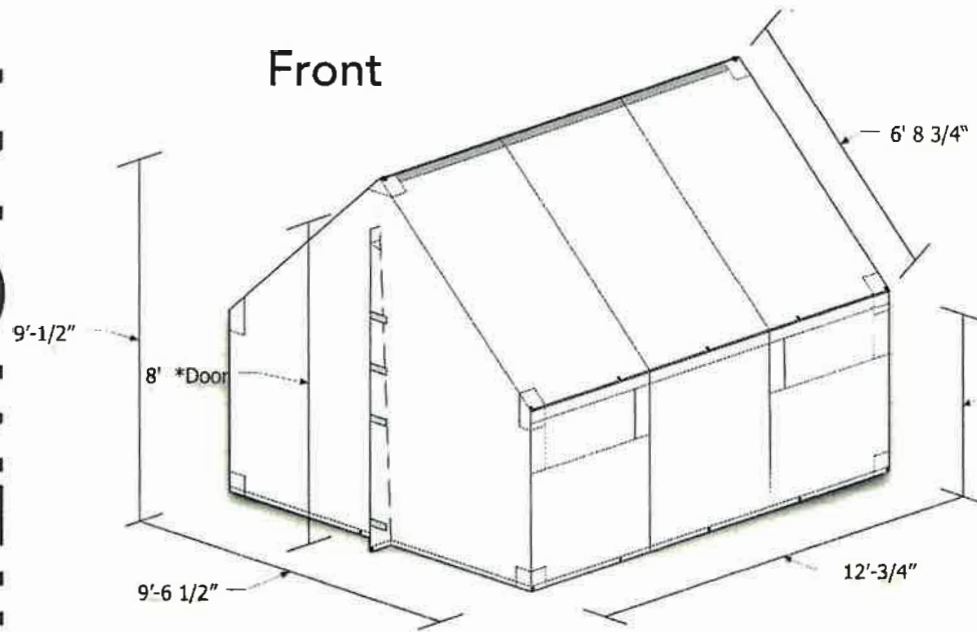


# 10X12 PHILMONT WALL TENT

DIAMOND BRAND  
**GEAR**

**2018**

**PHILMONT**



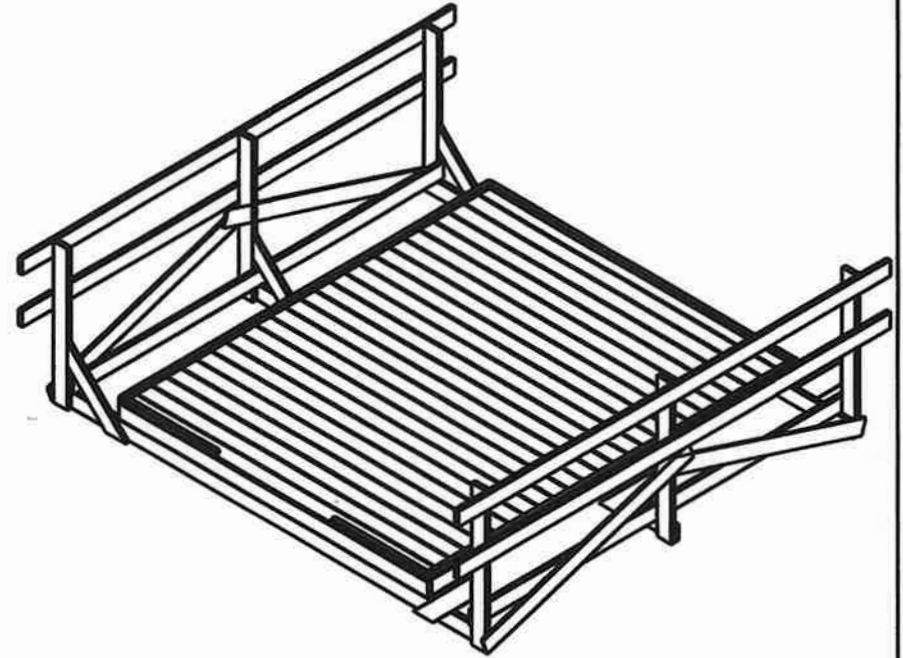
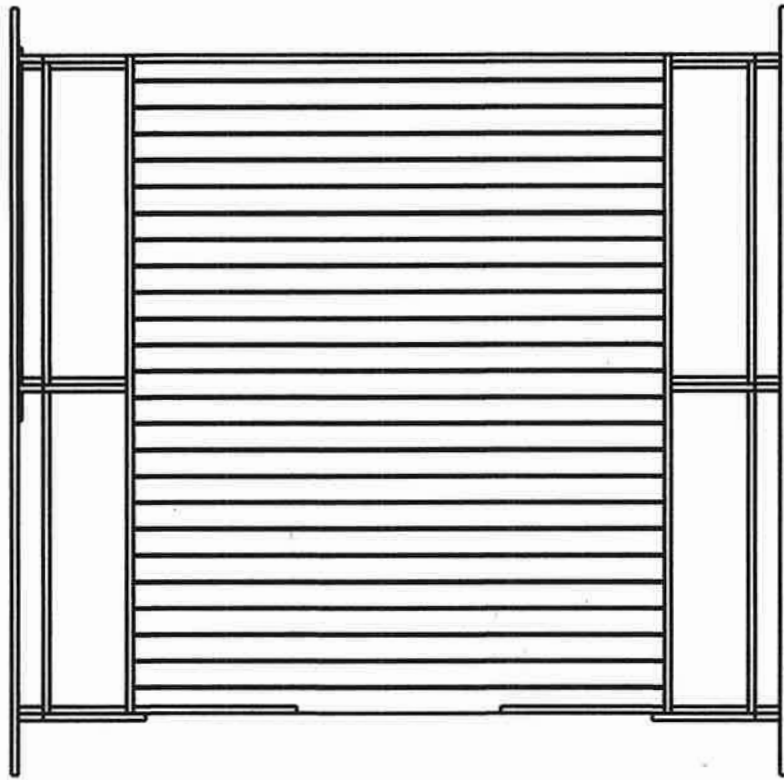
## STARLITE CANVAS

FIRE RESISTANT  
WATER REPELLANT  
MILDEW RESISTANT  
45% POLY / 55% COTTON

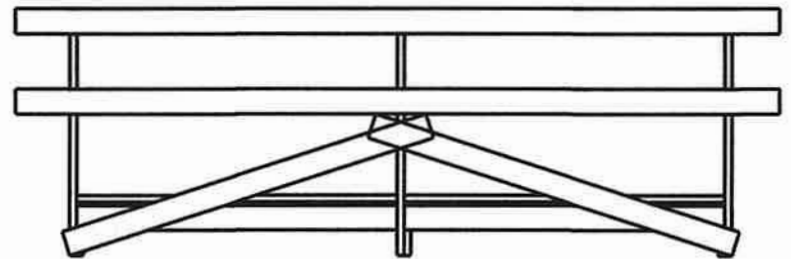
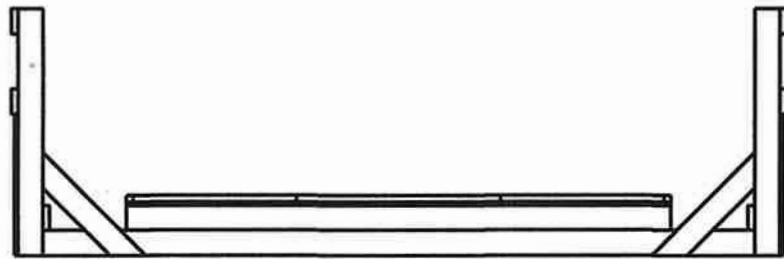
## HEAT PRESSED REINFORCEMENTS ON

RIDGELINE  
ALL CORNERS


All Fabric measurements are +/- 1"



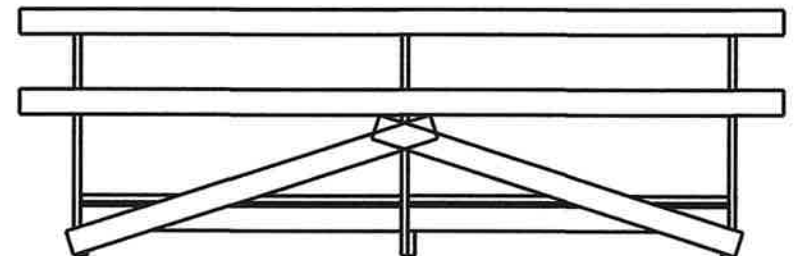
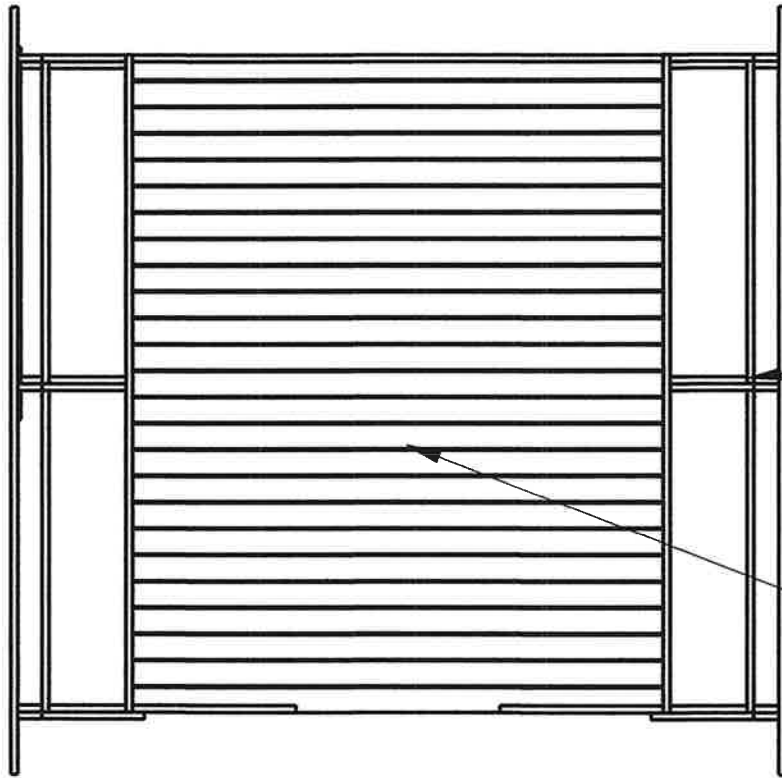
SCALE 0.020




*Handwritten scribble*

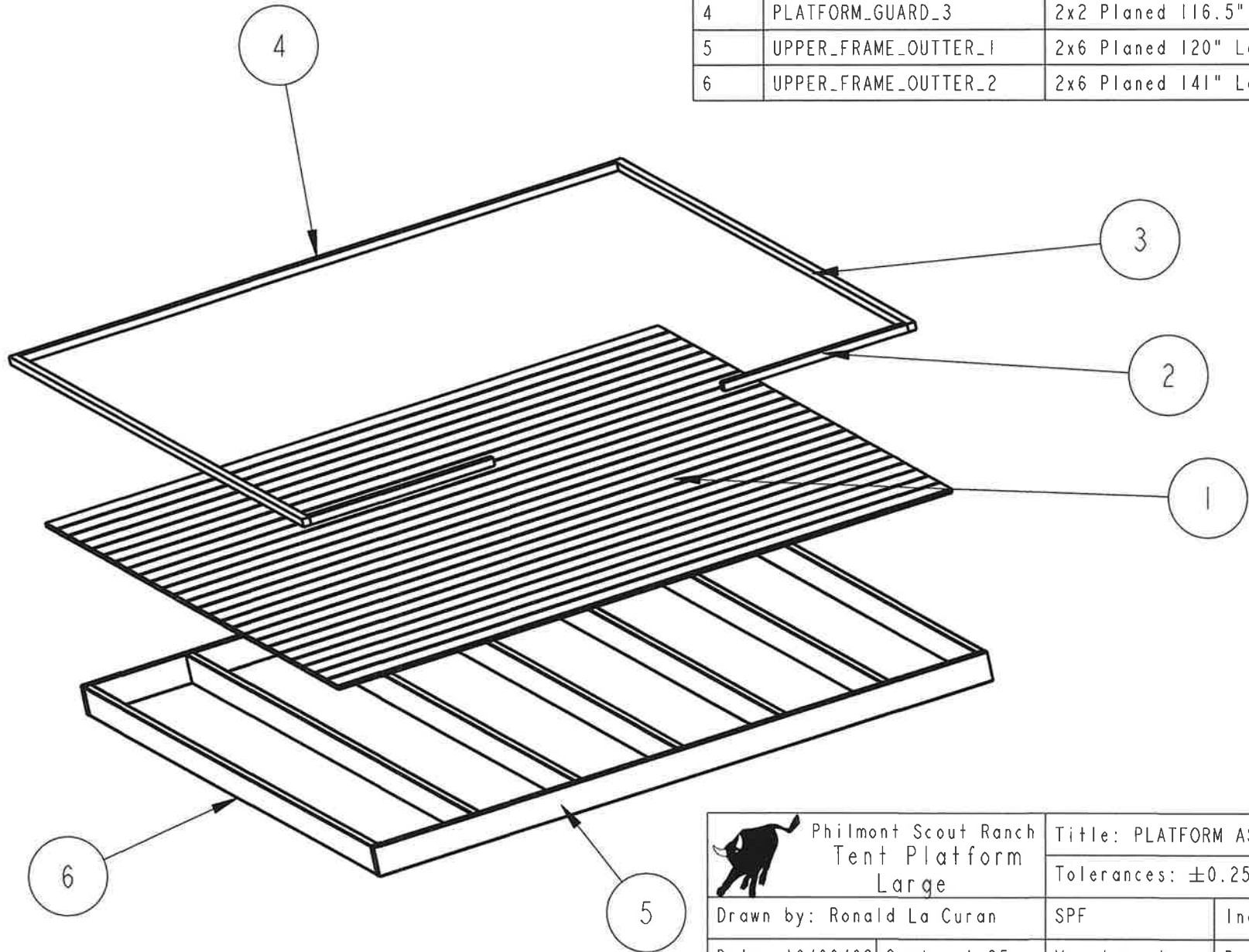
	Philmont Scout Ranch Tent Platform Large		Title: TENT PLATFORM - LG Tolerances: N/A	
	Drawn by: Ronald La Curan		N/A	Index: N/A
Date: 10/06/08		Scale: 1:40	Version: 1	Page 1 of 9


Index	Part Name	Description	Qty
1	LOWER_FRAME		1
2	PLATFORM		1



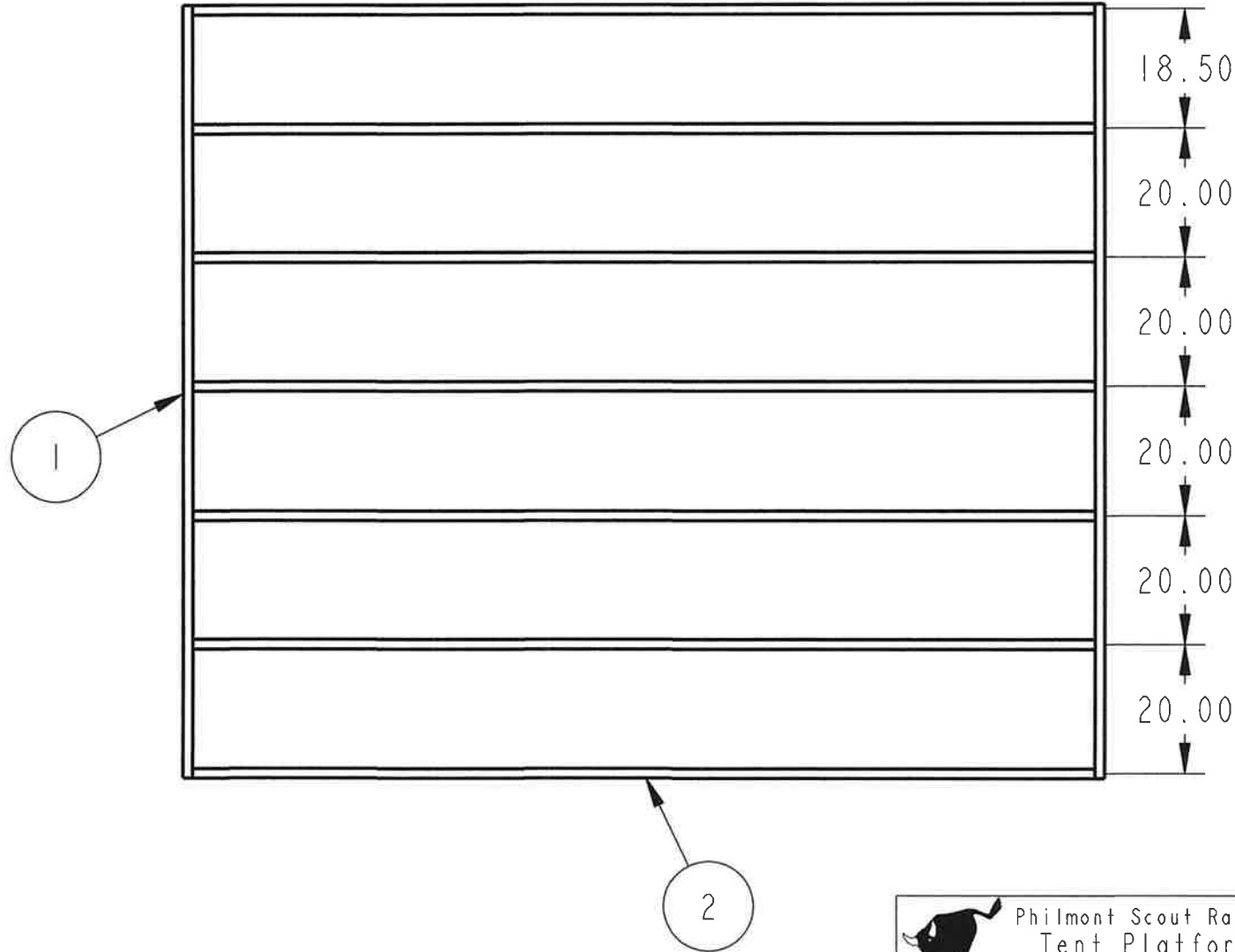
	Philmont Scout Ranch Tent Platform Large		Title: TENT PLATFORM - LG Tolerances: N/A		
	Drawn by: Ronald La Curan		N/A	Index: N/A	
Date: 10/06/08		Scale: 1:40		Version: 1	Page 2 of 9

Index	Part Name	Description	Qty
1	PLATFORM_FLOOR	1x6 Planed 120" Long	25
2	PLATFORM_GUARD_1	2x2 Planed 36" Long	2
3	PLATFORM_GUARD_2	2x2 Planed 144" Long	2
4	PLATFORM_GUARD_3	2x2 Planed 116.5" Long	1
5	UPPER_FRAME_OUTTER_1	2x6 Planed 120" Long	2
6	UPPER_FRAME_OUTTER_2	2x6 Planed 141" Long	7




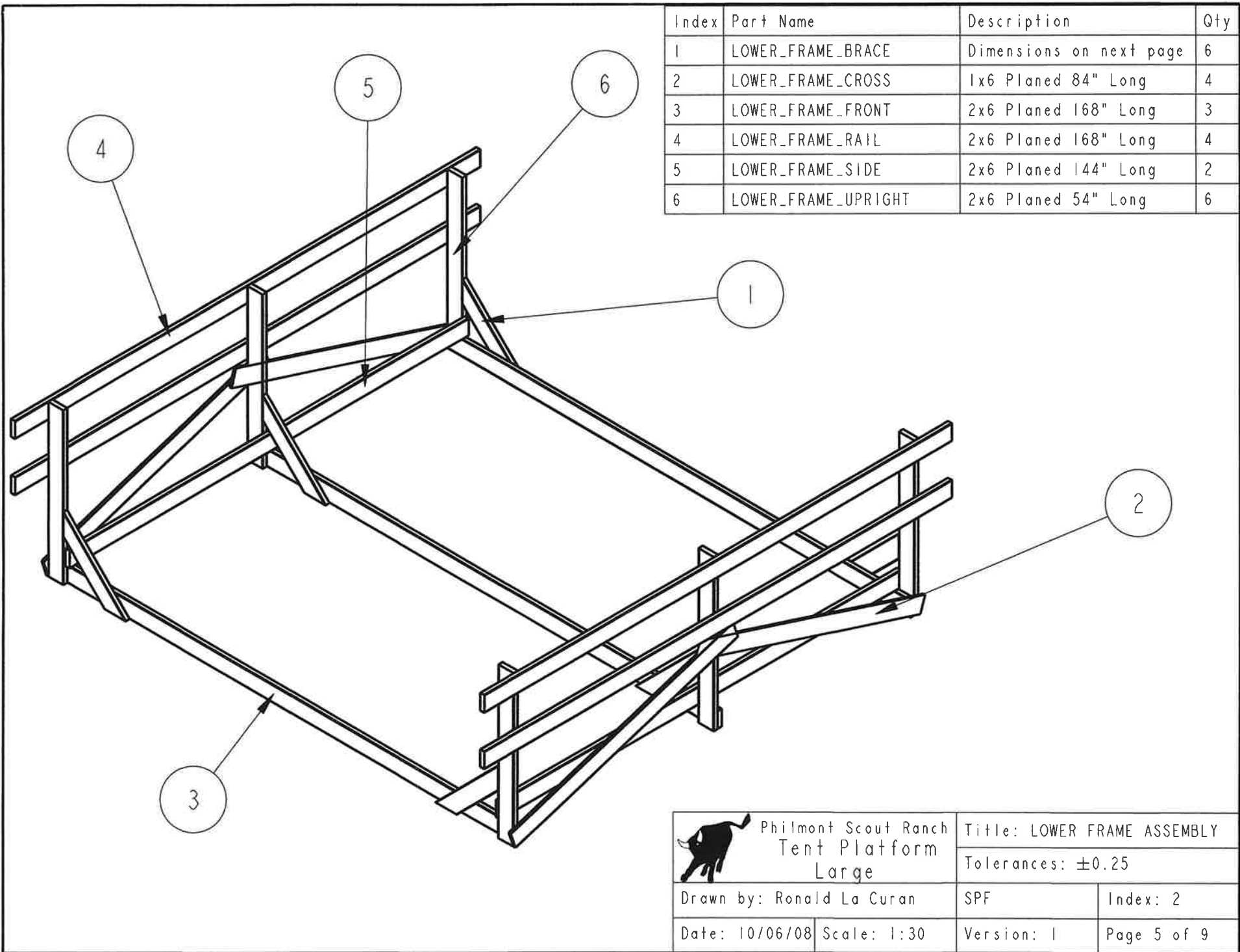
 Philmont Scout Ranch Tent Platform Large	Title: PLATFORM ASSEMBLY	
	Tolerances: $\pm 0.25$	
Drawn by: Ronald La Curan	SPF	Index: 1
Date: 10/06/08	Scale: 1:25	Version: 1
		Page 3 of 9

Index	Part Name	Description	Qty
1	UPPER_FRAME_OUTTER_1	2x6 Planed 120" Long	2
2	UPPER_FRAME_OUTTER_2	2x6 Planed 141" Long	7




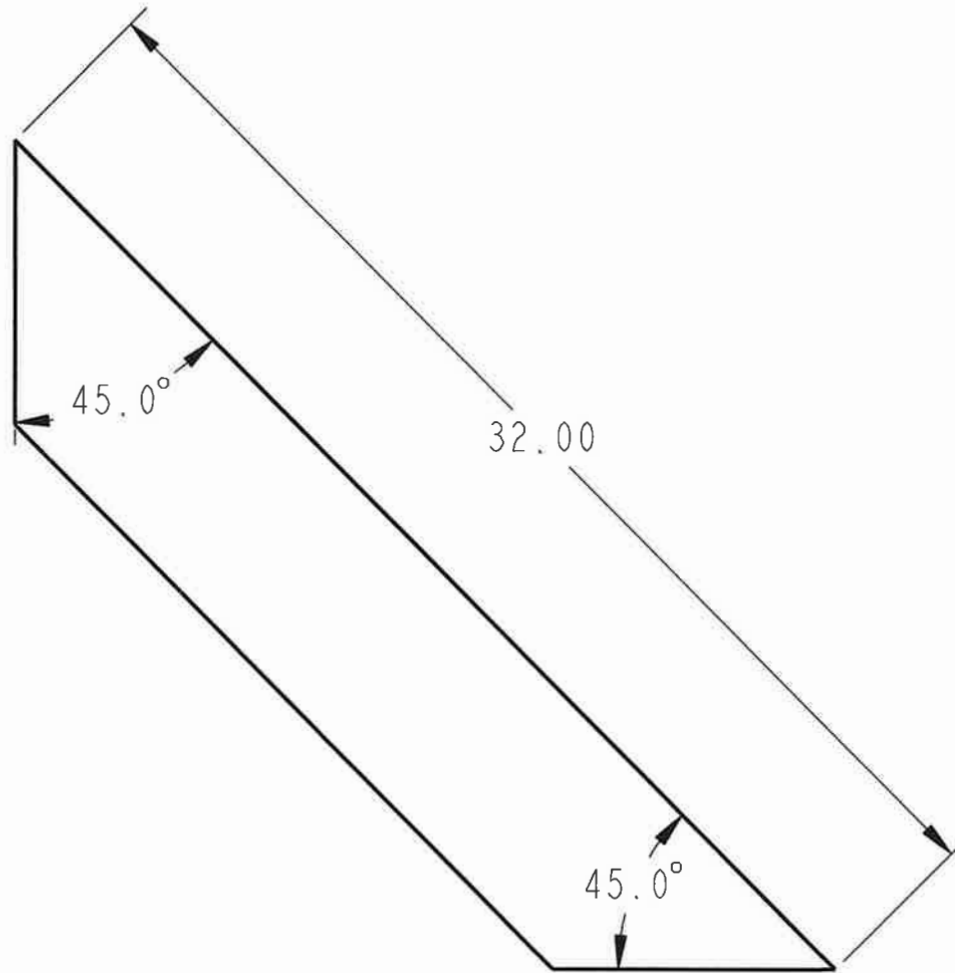
IMPORTANT: Floor Slat spacing should be roughly 0.25"

 Philmont Scout Ranch Tent Platform Large	Title: PLATFORM_TOP no floor	
	Tolerances: $\pm 0.25$	
Drawn by: Ronald La Curan	SPF	Index: N/A
Date: 10/06/08	Scale: 1:25	Version: 1
		Page 4 of 9




Index	Part Name	Description	Qty
1	LOWER_FRAME_BRACE	Dimensions on next page	6
2	LOWER_FRAME_CROSS	1x6 Planed 84" Long	4
3	LOWER_FRAME_FRONT	2x6 Planed 168" Long	3
4	LOWER_FRAME_RAIL	2x6 Planed 168" Long	4
5	LOWER_FRAME_SIDE	2x6 Planed 144" Long	2
6	LOWER_FRAME_UPRIGHT	2x6 Planed 54" Long	6


	Philmont Scout Ranch Tent Platform Large		Title: LOWER FRAME ASSEMBLY	
			Tolerances: ±0.25	
Drawn by: Ronald La Curan		SPF	Index: 2	
Date: 10/06/08	Scale: 1:30	Version: 1	Page 5 of 9	



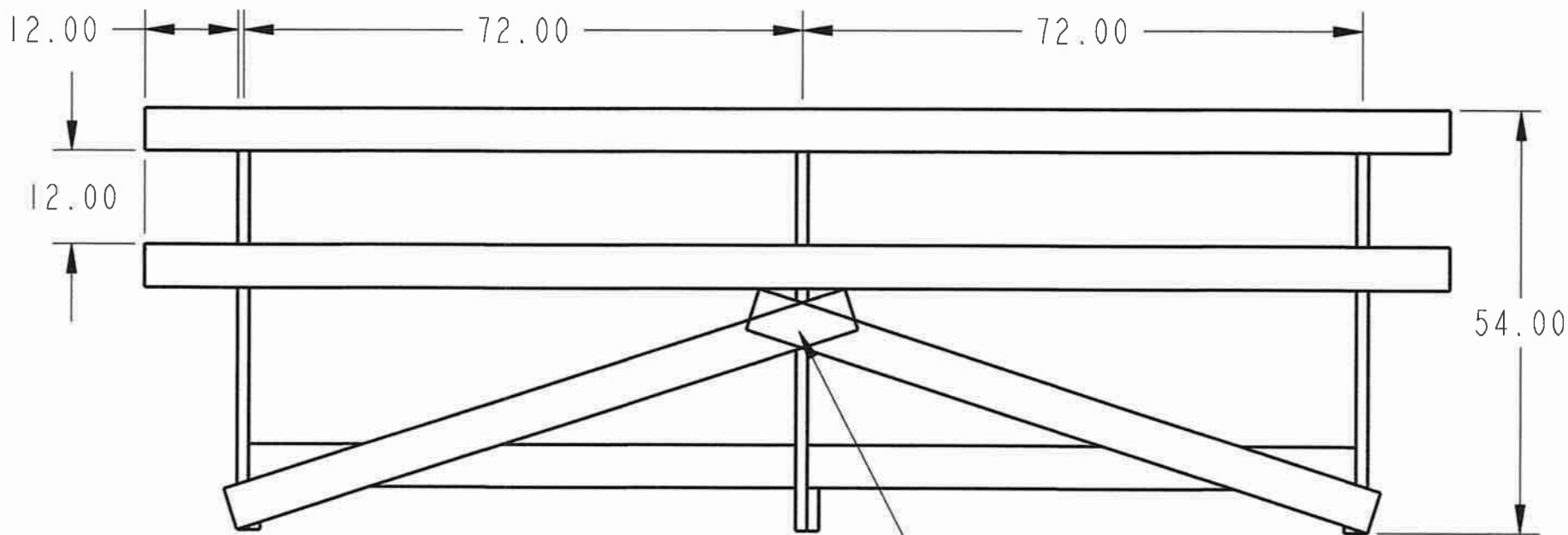
SCALE 0.0

	Philmont Scout Ranch Tent Platform Large		Title: LOWER_FRAME_BRACE	
			Tolerances: $\pm 0.25$	
Drawn by: Ronald La Curan		2x6 SPF	Index: 1	
Date: 10/06/08	Scale: 1:5	Version: 1	Page 6 of 9	




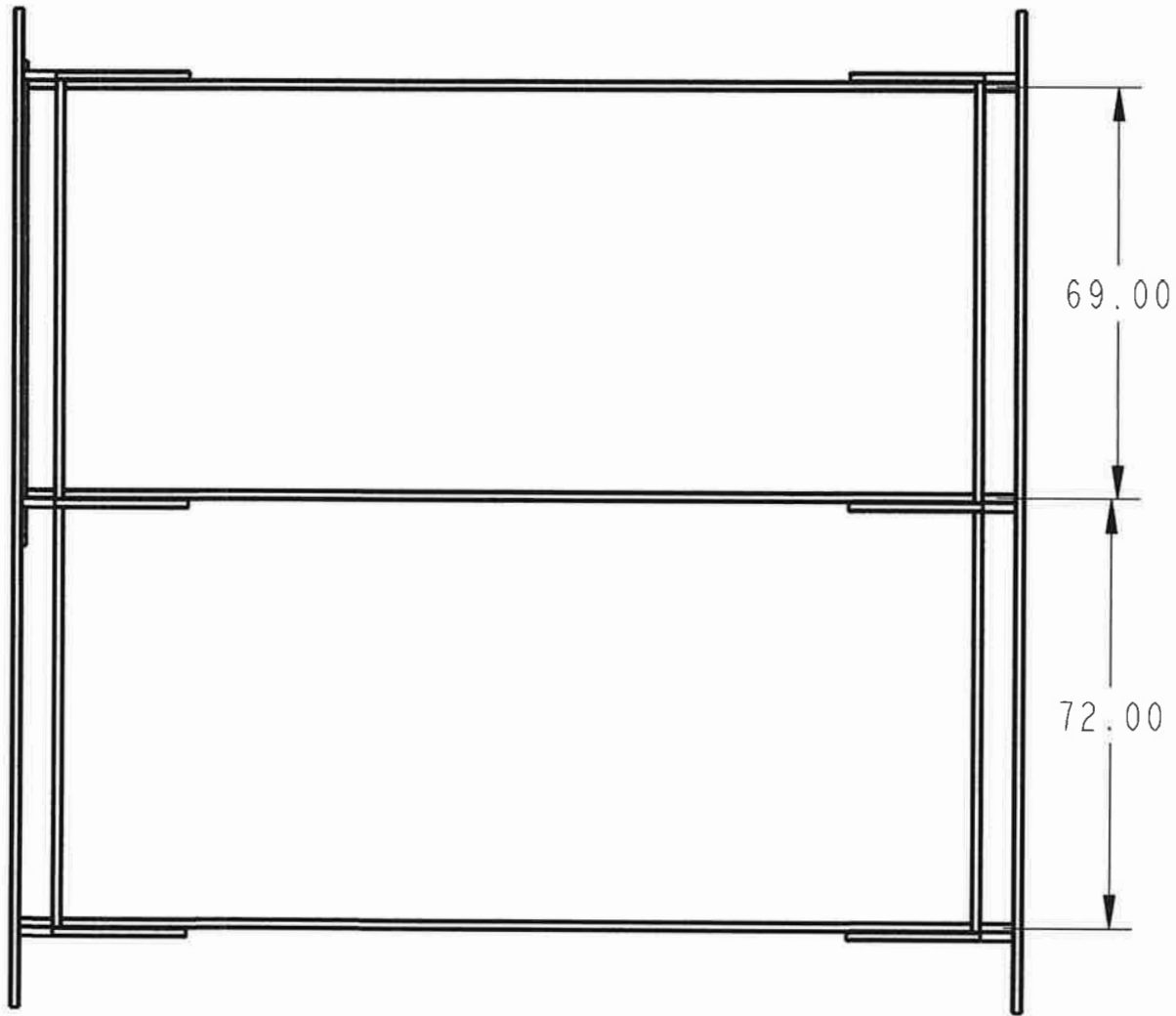
	Philmont Scout Ranch Tent Platform Large		Title: LOWER_PLATFORM FRONT Tolerances: $\pm 0.25$	
	Drawn by: Ronald La Curan		SPF	Index: 2
Date: 10/06/08	Scale: 1:20	Version: 1	Page 7 of 9	






These two cross braces will overlap one another when nailed together.

	Philmont Scout Ranch Tent Platform Large		Title: LOWER_FRAME RIGHT	
			Tolerances: $\pm 0.25$	
Drawn by: Ronald La Curan		SPF	Index: 2	
Date: 10/06/08	Scale: 1:20	Version: 1	Page 8 of 9	



	Philmont Scout Ranch Tent Platform Large		Title: LOWER_FRAME TOP	
			Tolerances: $\pm 0.25$	
Drawn by: Ronald La Curan		SPF	Index: 2	
Date: 10/06/08	Scale: 1:30	Version: 1	Page 9 of 9	

# Lg Tent Platform Lumber Requirements and Cost Estimate

The following list is provided as an estimate of the required lumber to build one Lg. Tent Platform:

	6'	8'	10'	12'	14'	16'
6x6						
4x4						
2x12						
2x10						
2x8						
2x6			2	9	9	1
2x4						
2x2	1		1	2		
1x12						
1x10						
1x8						
1x6			25		2	
1x4						
1x2						

This list was produced using hand calculations to optimize the cuts of wood required to create the pieces of the structure (i.e. find out the least amount of lumber needed to create all of the pieces).

The price listed below reflects current market values for RBS True Value Building Materials, INC in Northern New Mexico and is given only as an estimate. Prices will vary both by location and random market fluctuations. Using pricing provided by RBS the cost of a Large Tent Platform was estimated to be **\$285.67**

Date: October 20, 2008